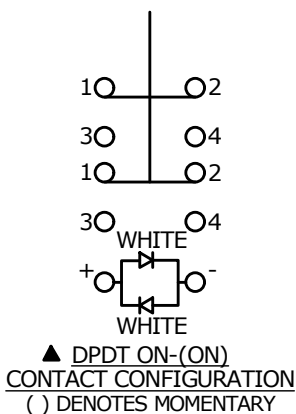


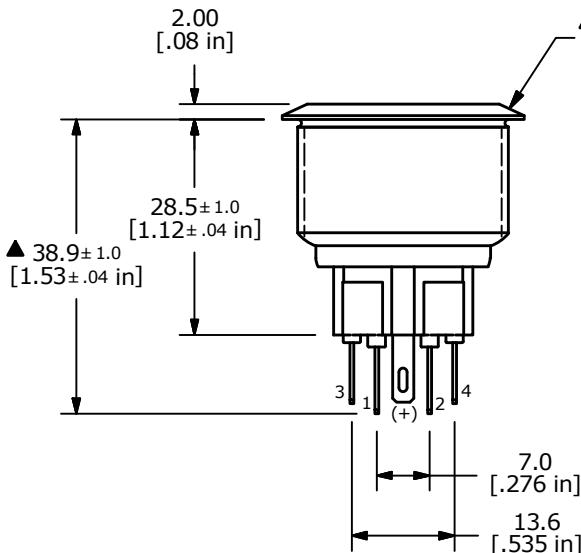
SWITCH FUNCTION	
POS. 1	POS. 2
1-2	(3-4)

() = MOMENTARY

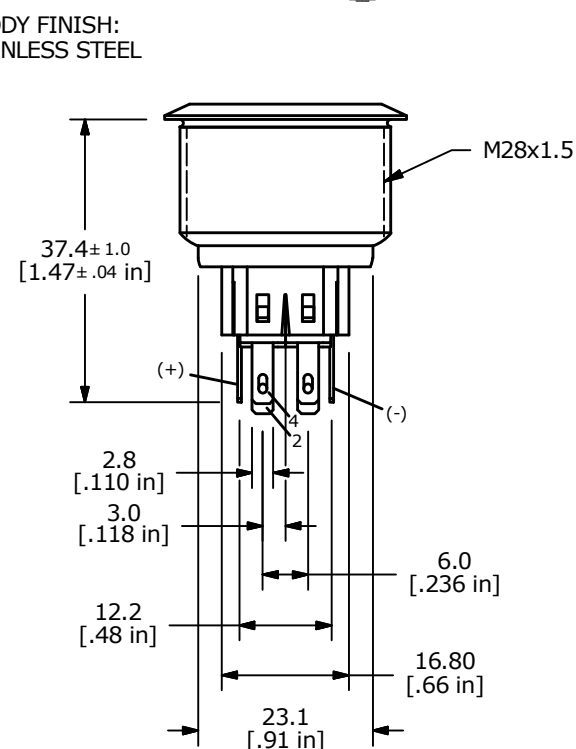
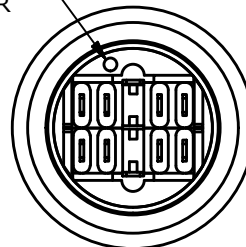


NOTE:

1. ALL DIMENSIONS IN MM [INCH]
2. GENERAL TOLERANCE: X.X = ± 0.4
X.XX = ± 0.25
3. TERMINAL NOS. FOR REF. ONLY
- ▲ 4. FUNCTION: DPDT
- ▲ 5. RATING: 2A @ 48VDC
6. ILLUMINATION VOLTAGE: BASE VOLTAGE 2.8 V
7. CONTACT RESISTANCE: 50mΩ MAX. @ 1A 12VDC
8. INSULATION RESISTANCE: 1,000MΩ @ 500VDC
9. DIELECTRIC STRENGTH: 2,000VAC MIN. FOR 1 MINUTE
10. ELECTRICAL LIFE: 50,000 CYCLES
11. OPERATING TEMPERATURE: -20°C TO 55°C
12. INGRESS PROTECTION: IP65
13. SUPPLIED HARDWARE: O-RING AND HEXNUT
14. ▲ DENOTES CRITICAL PARAMETER
15. 2011/65/EU (ROHS) COMPLIANT



DOT DENOTES LED COLOR



B	23839	UPDATED RATING TO IP66	4/8/19	MJR
A	22715	NEW RELEASE	2/6/17	MJR
REV	PCR NO	DESCRIPTION	DATE	BY

TITLE PV9F2V0SS-301				
SCALE 1:1	DATE 2/6/2017	DR MJR	DWG 52-PV9F2V0SS301	REV B